

## Standard Preparation 1200 mm Meat & Fish Processing/Washing Table

ITEM # \_\_\_\_\_

MODEL # \_\_\_\_\_

NAME # \_\_\_\_\_

SIS # \_\_\_\_\_

AIA # \_\_\_\_\_



**132960**  
**(TLC1210PN)**

Meat and fish processing/washing table with perforated and removable plates, knife holder, polythene cutting board, drain, scraping hole and upstand, 1200mm

### Short Form Specification

**Item No.** \_\_\_\_\_

50mm high worktop in 304 AISI stainless steel, 1mm in thickness. Integral radiused rear upstand, h=100mm. All-round apron. Square section legs 40x40mm on 1" height-adjustable feet in 304 AISI stainless steel. Knife holder. N.1 polythene cutting board 730x225x25h mm on front and waste scraping hole.

### Main Features

- Sturdiness, stability and reliability of table accurately tested.

### Construction

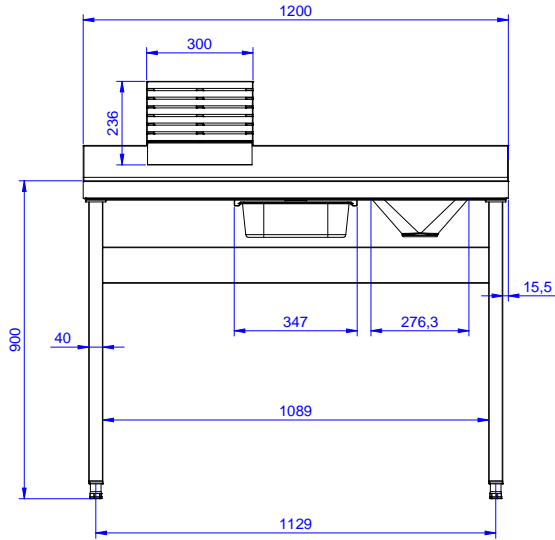
- Table can be equipped with a mobile bin with lid for waste disposal (optional accessory).
- 50 mm worktop in 304 AISI stainless steel, 10/10 in thickness with upturned edges and reinforced waterproof underpanel, incorporates a layer of sound deadening materials.
- Square section legs and 40 mm height-adjustable feet in 304 AISI stainless steel.
- Unit features a 20 mm deep recessed surface, a polythene cutting board and a scraping hole on the front, perforated and sectionated removable tops, an easily removable GN liquid container and a knife holder. Knife sanitizer can be supplied as optional.

### Optional Accessories

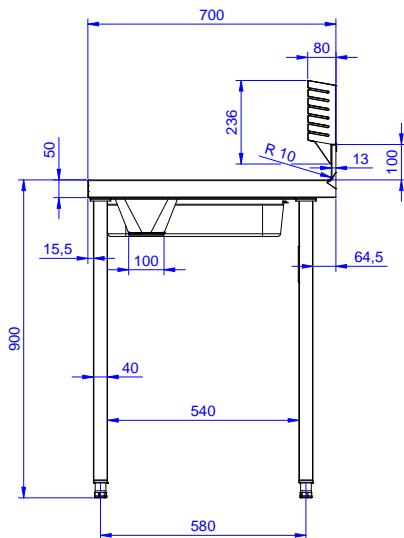
- Lower shelf for 1200mm tables and sinks and for 1800 mm undercounter dishwasher sinks PNC 855145
- Set of 4 wheels (2 with brake) d. 100mm for tables and sinks (total height on wheels= 993 mm) PNC 855150
- 3-sided underframe for 1200mm tables PNC 855152
- Single drawer GN 1/1, 400mm PNC 855280
- Single drawer, 600mm PNC 855281
- Additional drawer, 600mm (to set up a chest of 2, 3, 4 drawers) PNC 855295
- Additional drawer GN 1/1, 400mm (to set up a chest of 2, 3, 4 drawers) PNC 855298
- Elbow operated mixer tap with spout, 3/4" single hole PNC 855322
- Elbow operated mixer tap short spout, 3/4" single hole PNC 855323
- Foot operated Mixer tap with spout & with hot&cold pedals, 3/4" PNC 855328

APPROVAL: \_\_\_\_\_

**Front**

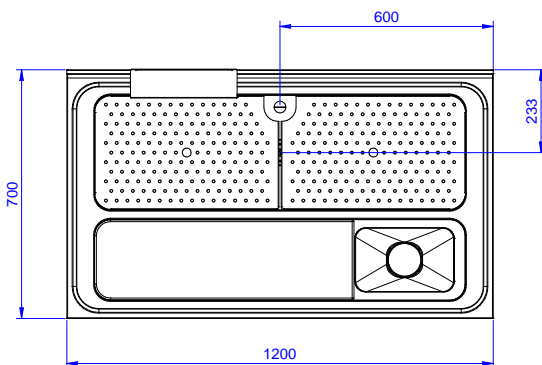


**Side**



**D** = Drain

**Top**



**Key Information:**

<b>External dimensions, Width:</b>		
<b>132960 (TLC1210PN)</b>	1200 mm	
<b>External dimensions, Depth:</b>		
	700 mm	
<b>External dimensions, Height:</b>		
	900 mm	
<b>Upstand Dimensions, Height:</b>		
	100 mm	
<b>Upstand Dimensions, Depth:</b>		
	13 mm	
<b>Upstand Dimensions, Radius:</b>		
	R=10	
<b>Bowls number</b>		1
<b>Bowl dimensions</b>		1070x320xH180
<b>Number of cutting boards</b>		1
<b>Cutting board dimensions - width</b>		810 mm
<b>Cutting board dimensions - depth</b>		230 mm
<b>Cutting board dimensions - height</b>		25 mm
<b>Worktop thickness:</b>		50 mm
<b>Net weight:</b>		40 kg